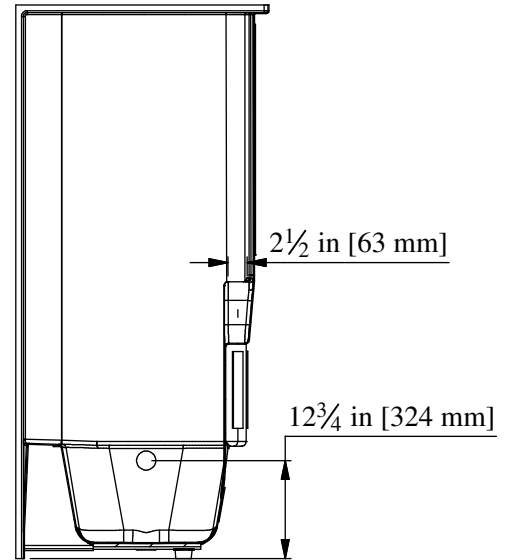


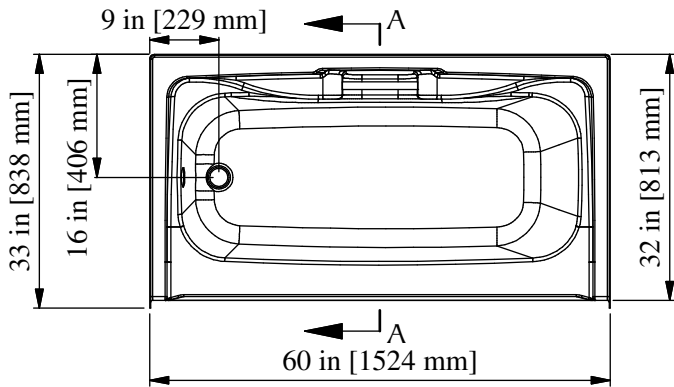
ELEVATION



SECTION A-A

PRODUCT SPECIFICATIONS:

- * Product complies with NAHB, HUD UM-73A, and ANSI-Z124.1.2.
- * Reinforced & slip resistant floor.
- * Molded soap ledges on back wall.
- * Integral 1" [25mm] nailing flange.
- * Available with factory installed 1" [25mm] acrylic towel bar, model number becomes (7901LT or 7901RT)
- * Factory drilled 2-1/2" overflow.
- * Bathwell Dimensions (At Top): W-51-3/4" [1315mm]
D-21" [533mm]
H-14-3/4" [375mm]
- * Bathwell Dimensions (At Bottom): W-44" [1118mm]
D-16-3/4" [426mm]
- * Door Opening: W-55" [1397mm]
H-55 3/4" [1416mm]
- * Bathwell Capacity (At Overflow): 34 gal. [129L]
- * Water Level (At Overflow): 10" [279mm]
- * All dimensions +/- 1/2" [12.8mm]
- * A version with above the floor rough-in (7901LX or 7901RX) is available.
- * Clarion Bathware reserves the right to change design and/or dimensions.
- * Dimensions are the same for all other versions of this model.



PLAN

60" [1524mm] Tub/Shower
w/ Molded Soap Ledges

Left Hand Version (7901L) Shown

7901L or 7901R

60" [1524mm] Tub/Shower w/ 15" [381mm] Apron, Molded Soap Ledges, & Left or Right Hand Drain

Clarion
BATHWARE
44 Amsler Ave.
Shippensville, PA 16254

Phone: (814) 226-5374
Toll Free: (800) 576-9228
Fax: (814) 226-0730
www.clarionbathware.com

Signatures For Approval:

Customer: _____
Arch./Engr: _____

Quote #: _____
Job Name: _____

Date: _____

DWG. #
7901L or R -CUT

By: NMH
Date: 4/29/2019